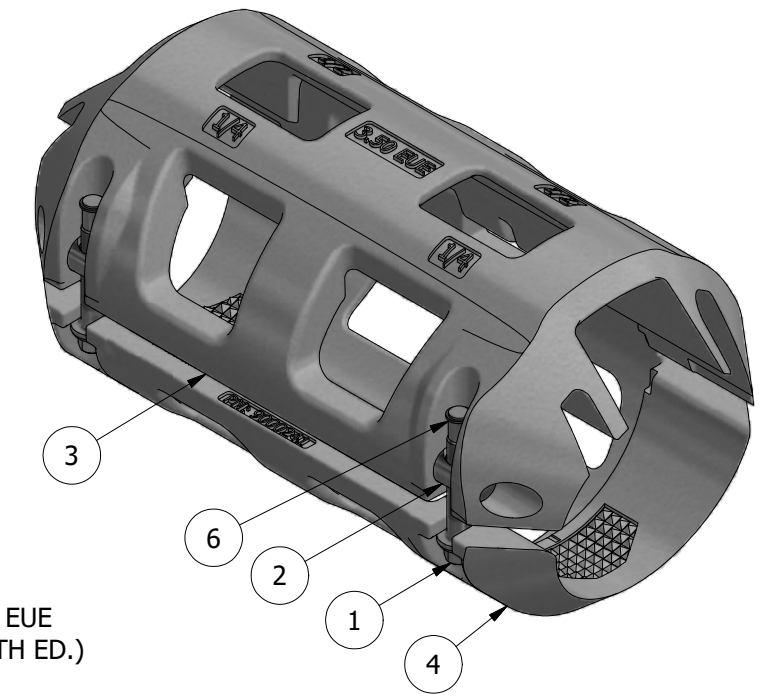
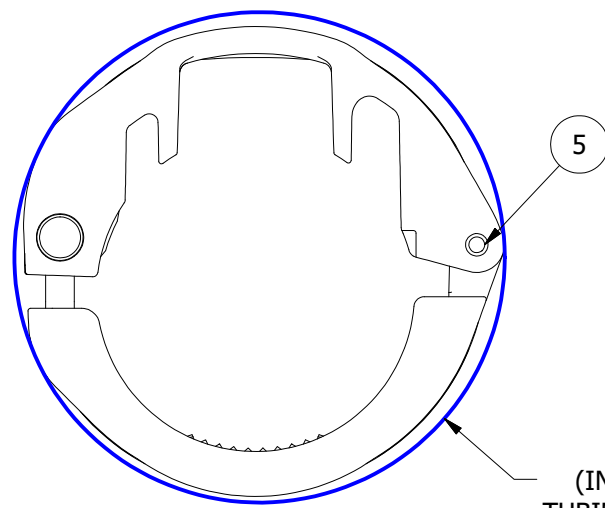
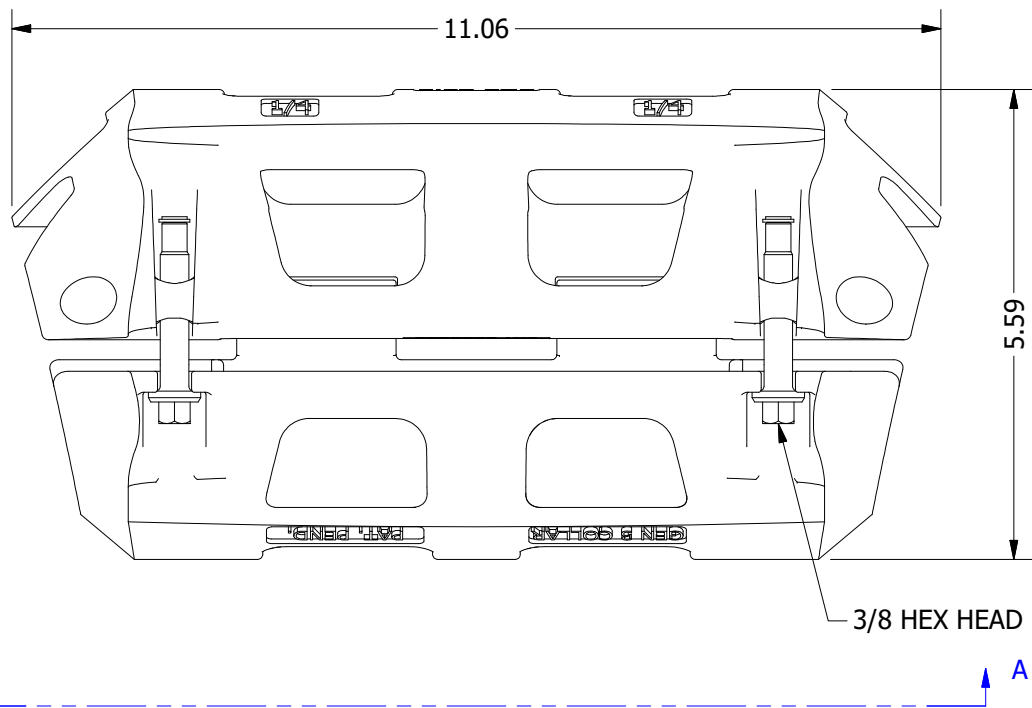
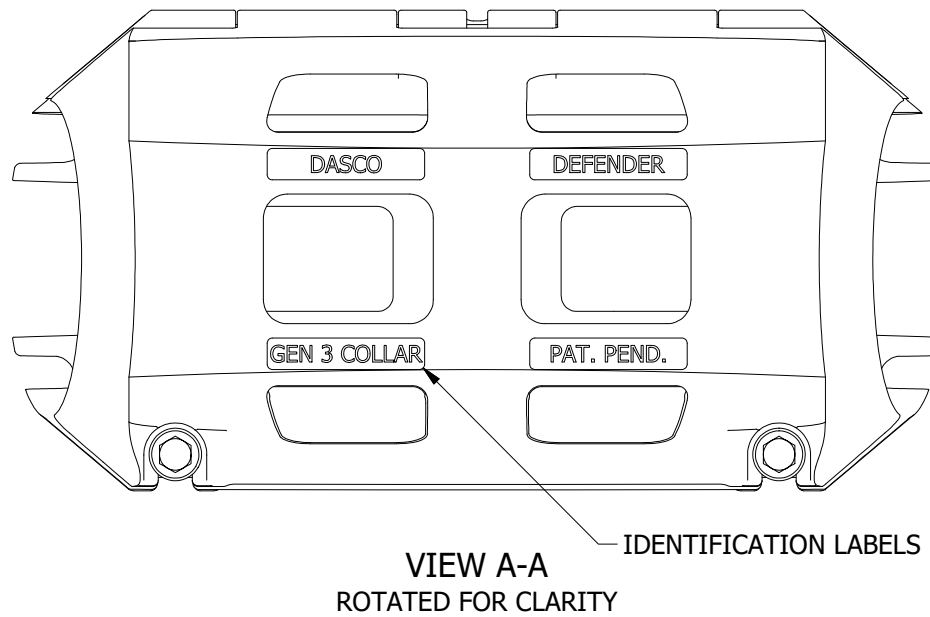
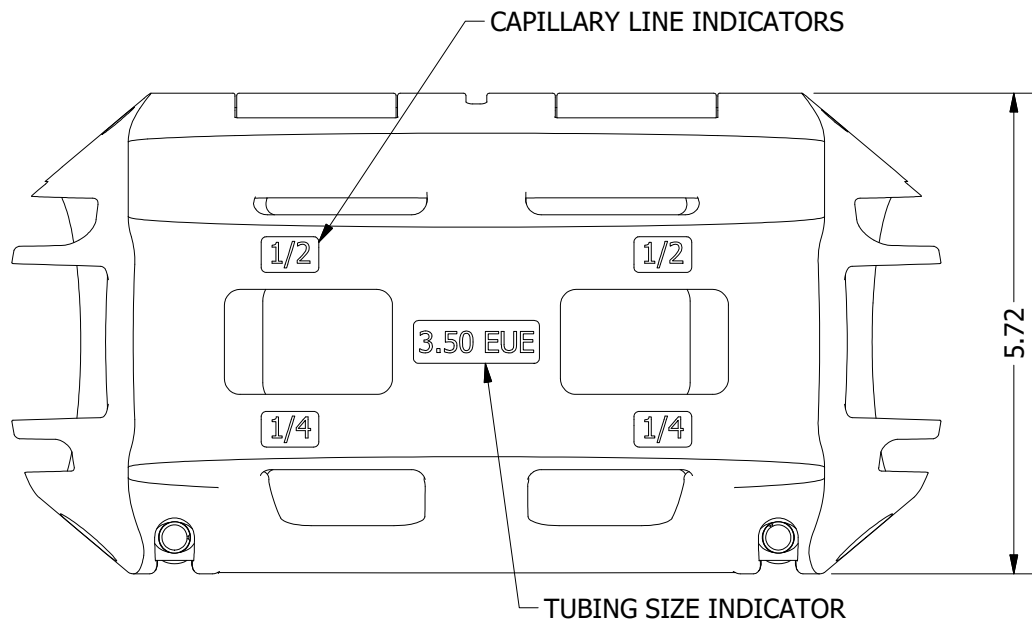


ITEM	QTY	PART NUMBER	TITLE	MATERIAL
1	2	9000150	GEN 3 - MID & COLLAR GUARD LATCH BOLT	AISI 4140 Fy MIN = 110 ksi
2	2	9000151	GEN 3 - MID AND COLLAR GUARD LATCH NUT	AISI 4140 Fy MIN = 110 ksi
3	1	9000240	DEFENDER GUARD - COLLAR 3.50 - TOP HALF CABLE SIDE	DASCO-CAST-STEEL-002
4	1	9000241	DEFENDER GUARD - COLLAR 3.50 - BTM HALF	DASCO-CAST-STEEL-002
5	1	9000251	GEN 3 COLLAR GUARD HINGE PIN	AISI 4140 Fy MIN = 110 ksi
6	2	9000275	GEN 3 GUARD - RETENTION CLIP	AISI 1080 SPRING STEEL



TOTAL ASSEMBLY WEIGHT: 14.1 lbmass

REV	DESCRIPTION	DATE	BY
A	NOT FOR MANUFACTURE	24 JUN 2020	CDB

REVISION HISTORY

DO NOT SCALE DRAWING

VALUES IN INCHES UNLESS OTHERWISE NOTED.
TOLERANCES UNLESS OTHERWISE SPECIFIED:
.XXX ± 0.005 .XX ± 0.01 | .X ± 0.1 | ANG ± 0.5
GEOMETRIC DIMENSIONING & TOLERANCING
PER ANSI Y14.5M-1994

ASSEMBLY - DEFENDER GUARD - GEN 3 COLLAR 3.50 EUE		
TITLE:	9000239	A 1 OF 1
PARTNUMBER:	REV:	SHEET:

"PROPRIETARY RIGHTS ARE INCLUDED IN THE INFORMATION DISCLOSED HEREIN AND THIS DOCUMENT IS RELEASED TO AND ACCEPTED BY THE POSSESSOR ON THE CONDITION AND UNDERSTANDING THAT NEITHER THIS DOCUMENT NOR THE INFORMATION DISCLOSED HEREIN SHALL BE REPRODUCED OR TRANSFERRED IN ANY MANNER OR USED OR DISCLOSED TO OTHERS FOR ANY PURPOSE, EXCEPT AS SPECIFICALLY AUTHORIZED IN WRITING BY DASCO."