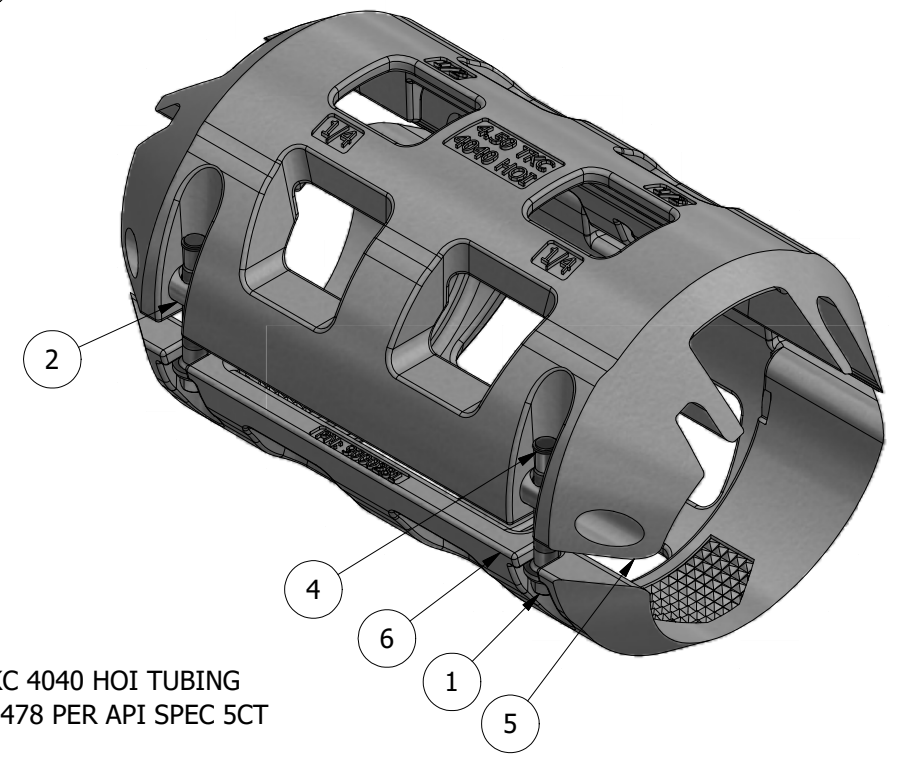
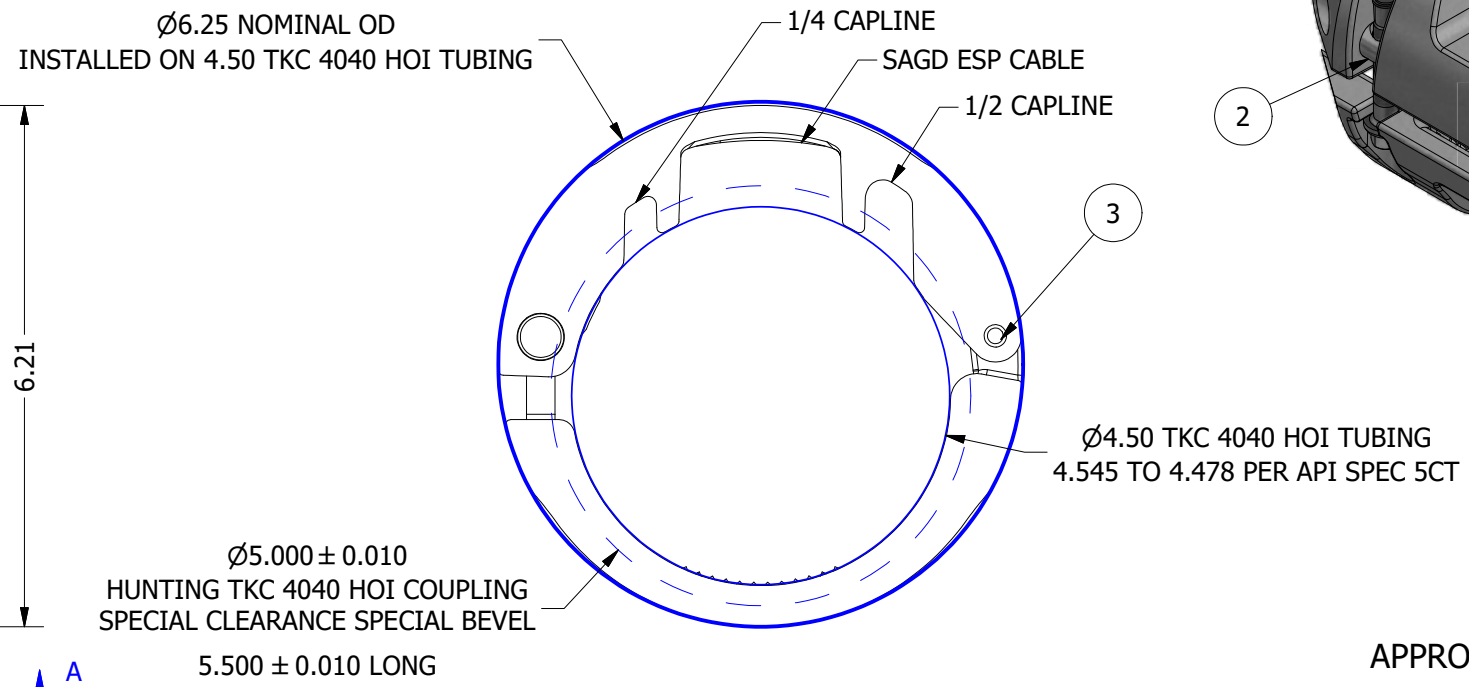
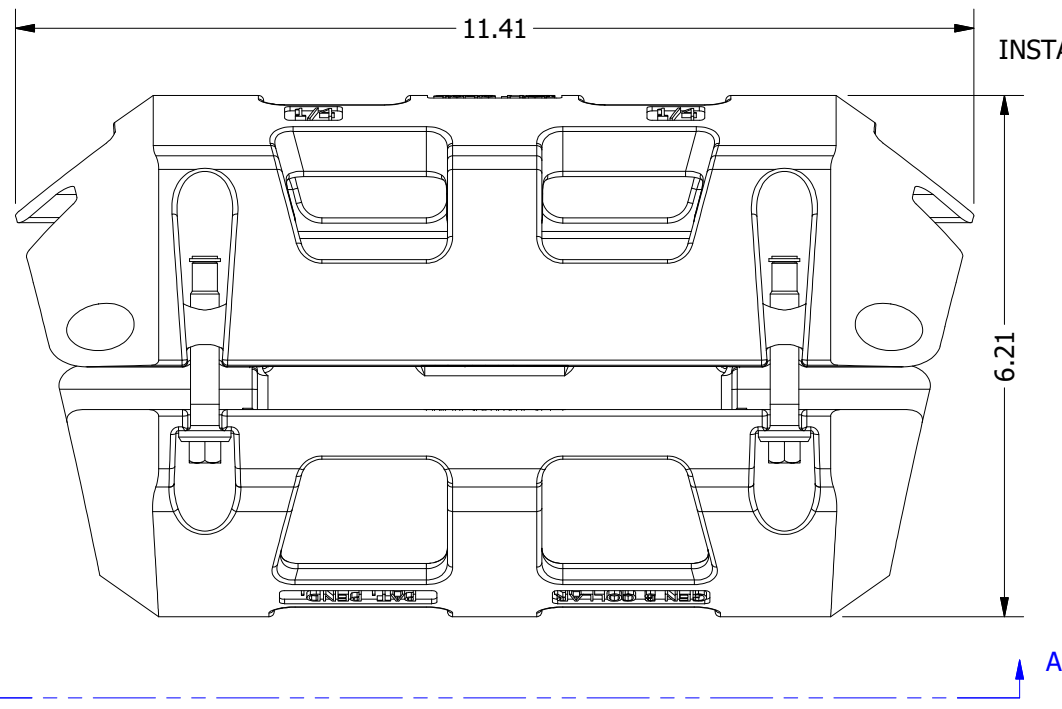
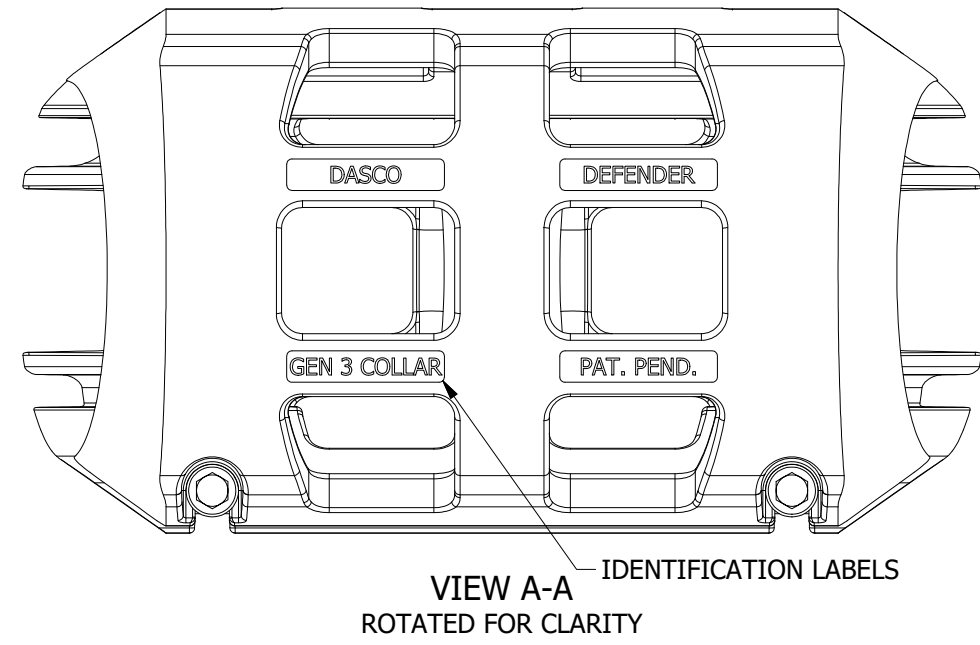
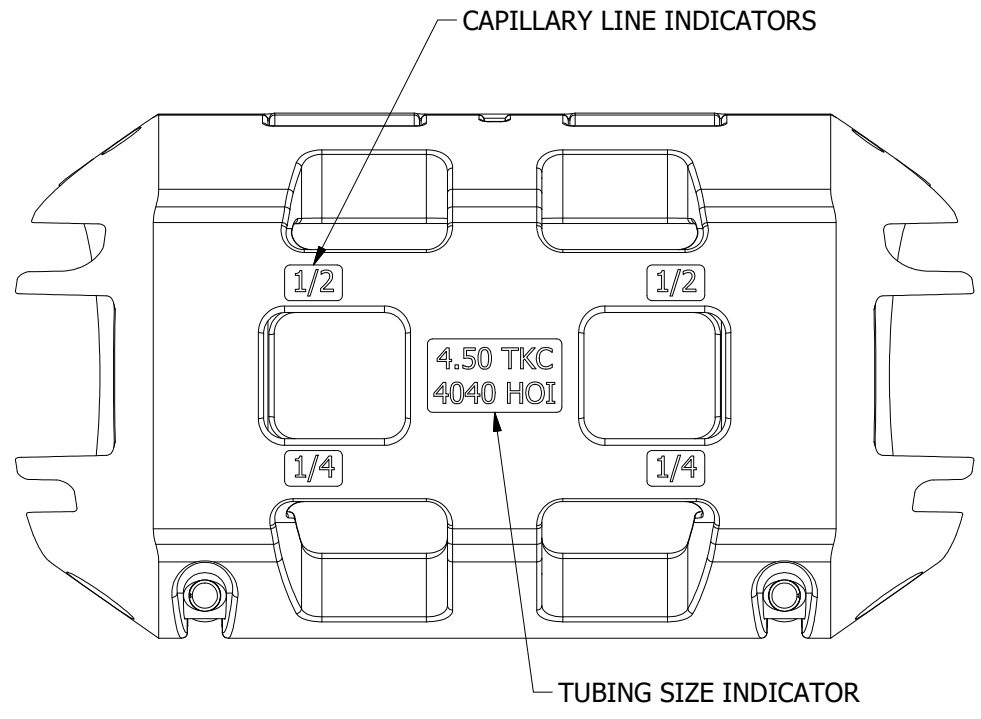


ITEM	QTY	PART NUMBER	TITLE	MATERIAL
1	2	9000150	GEN 3 - MID & COLLAR GUARD LATCH BOLT	AISI 4140 Fy MIN = 110 ksi
2	2	9000151	GEN 3 - MID AND COLLAR GUARD LATCH NUT	AISI 4140 Fy MIN = 110 ksi
3	1	9000251	GEN 3 COLLAR GUARD HINGE PIN	AISI 4140 Fy MIN = 110 ksi
4	2	9000275	GEN 3 GUARD - RETENTION CLIP	AISI 1080 SPRING STEEL
5	1	9000280	DEFENDER GUARD - COLLAR 4.50 TKC 4040 HOI - TOP HALF CABLE SIDE	DASCO-CAST-STEEL-002
6	1	9000281	DEFENDER GUARD - COLLAR 4.50 TKC 4040 HOI - BTM HALF	DASCO-CAST-STEEL-002



APPROXIMATE ASSEMBLY WEIGHT: 18.5 lbmass

REV	DESCRIPTION	DATE	BY
0	CUSTOMER DRAWING	17 AUG 2020	CDB

REVISION HISTORY

DO NOT SCALE DRAWING

VALUES IN INCHES UNLESS OTHERWISE NOTED. TOLERANCES UNLESS OTHERWISE SPECIFIED: .XXX ± 0.005 .XX ± 0.01 | .X ± 0.1 | ANG ± 0.5 GEOMETRIC DIMENSIONING & TOLERANCING PER ANSI Y14.5M-1994

ASSEMBLY - DEFENDER GUARD - GEN 3 COLLAR - 4.50 TKC 4040 HOI - SPECIAL CLEARANCE SPECIAL BEVEL		
TITLE:		
PARTNUMBER:	9000279	REV: 0
SHEET:	1	1 OF 1

"PROPRIETARY RIGHTS ARE INCLUDED IN THE INFORMATION DISCLOSED HEREIN AND THIS DOCUMENT IS RELEASED TO AND ACCEPTED BY THE POSSESSOR ON THE CONDITION AND UNDERSTANDING THAT NEITHER THIS DOCUMENT NOR THE INFORMATION DISCLOSED HEREIN SHALL BE REPRODUCED OR TRANSFERRED IN ANY MANNER OR USED OR DISCLOSED TO OTHERS FOR ANY PURPOSE, EXCEPT AS SPECIFICALLY AUTHORIZED IN WRITING BY DASCO."