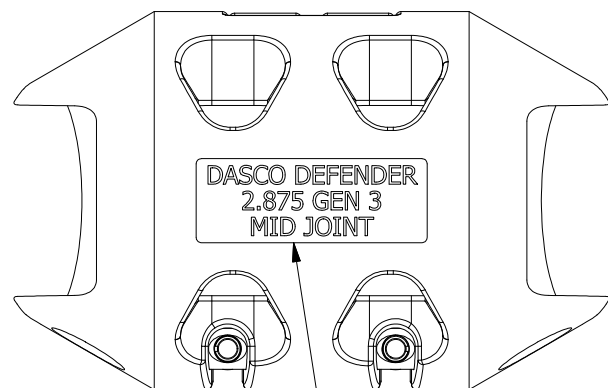
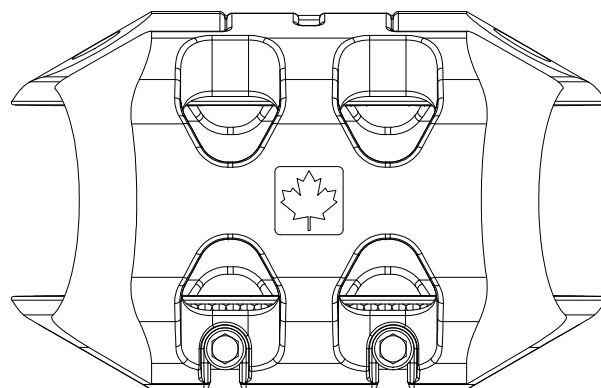


ITEM	QTY	PART NUMBER	TITLE	MATERIAL
1	2	9000189	GEN 3 - 5/16 UNC - MID & COLLAR GUARD LATCH BOLT	AISI 4140 Fy MIN = 110 ksi
2	2	9000190	GEN 3 - 5/16 UNC - MID AND COLLAR GUARD LATCH NUT	AISI 4140 Fy MIN = 110 ksi
3	1	9000250	GEN 3 MIDJOINT GUARD HINGE PIN - 3/8" UNF	AISI 4140 Fy MIN = 110 ksi
4	2	9000309	GEN 3 GUARD - 5/16 UNC BOLT RETENTION CLIP	A36
5	1	9000311	DEFENDER GUARD - MID 2.875 - TOP HALF CABLE SIDE	DASCO-CAST-STEEL-002
6	1	9000312	DEFENDER GUARD - MID 2.875 - BTM HALF	DASCO-CAST-STEEL-002



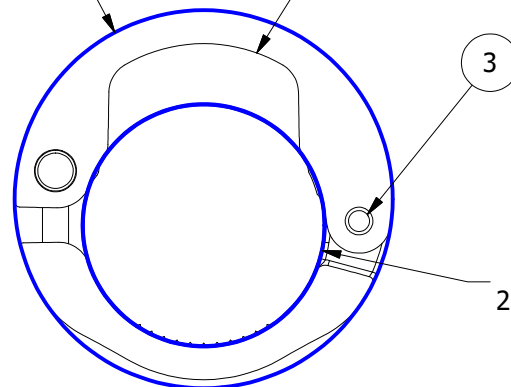
TUBING SIZE INDICATOR  
& IDENTIFICATION LABELS



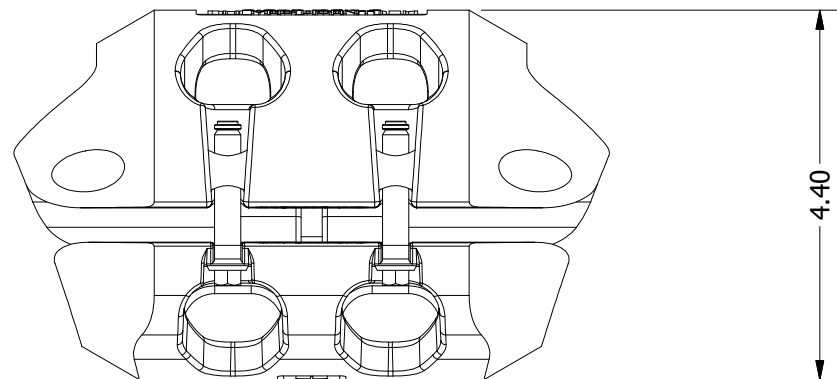
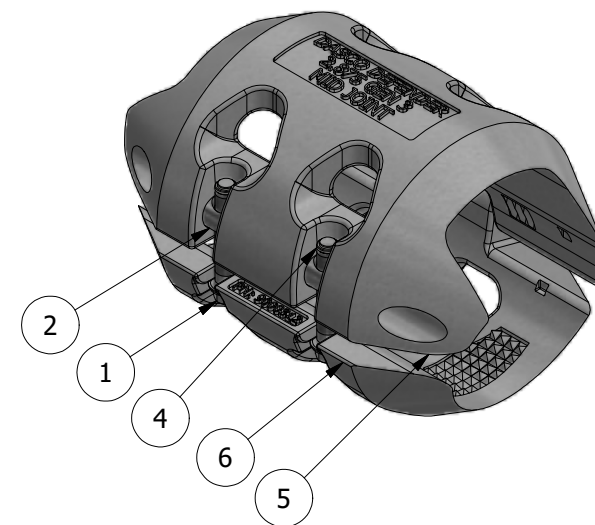
VIEW A-A  
ROTATED FOR CLARITY

Ø4.50 NOMINAL OD  
INSTALLED ON NOMINAL 2.875  
TUBING AS PER API SPEC 5CT

1EA OF 1/4 CAPLINE, 3/8 CAPLINE,  
& SAGD ESP CABLE



Ø2.875 TUBING  
2.844 TO 2.906 PER API SPEC 5CT



APPROXIMATE ASSEMBLY WEIGHT: 7.4 lbmass

REV	DESCRIPTION	DATE	BY
0	NOT FOR MANUFACTURE	18 JAN 2021	CDB

REVISION HISTORY

DO NOT SCALE DRAWING

VALUES IN INCHES UNLESS OTHERWISE NOTED.  
TOLERANCES UNLESS OTHERWISE SPECIFIED:  
.XXX ± 0.005 .XX ± 0.01 | .X ± 0.1 | ANG ± 0.5  
GEOMETRIC DIMENSIONING & TOLERANCING  
PER ANSI Y14.5M-1994



ASSEMBLY - DEFENDER GUARD - GEN 3  
MID JOINT - 2.875

TITLE:	PARTNUMBER:	REV:	SHEET:
	9000310	0	1 OF 1