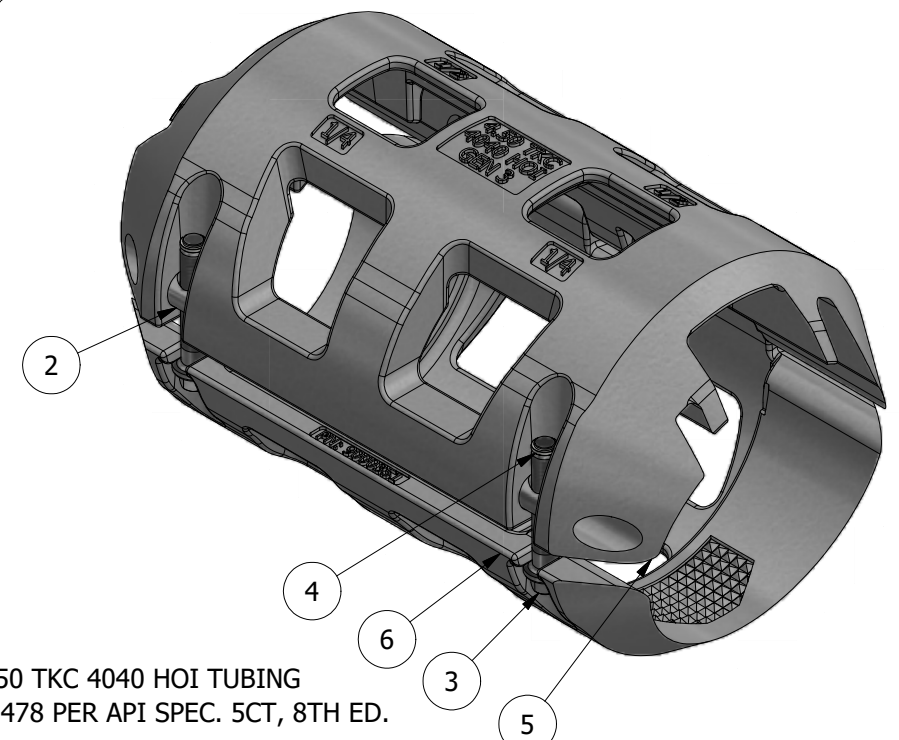
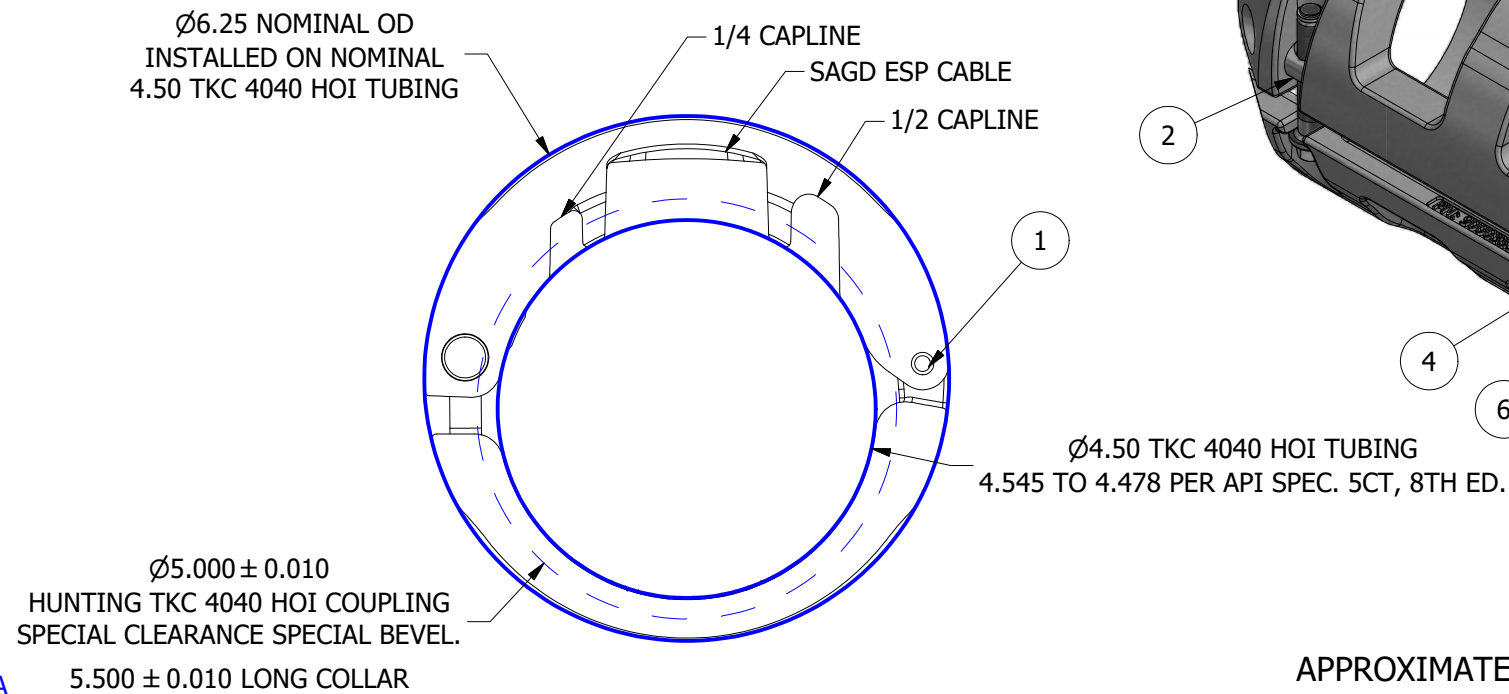
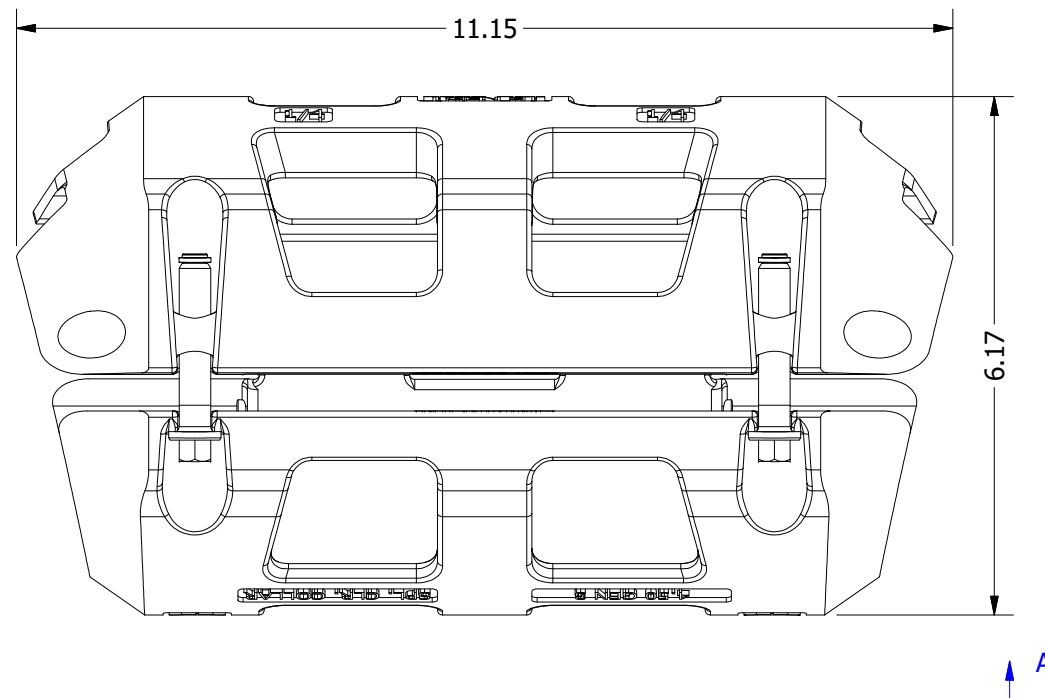
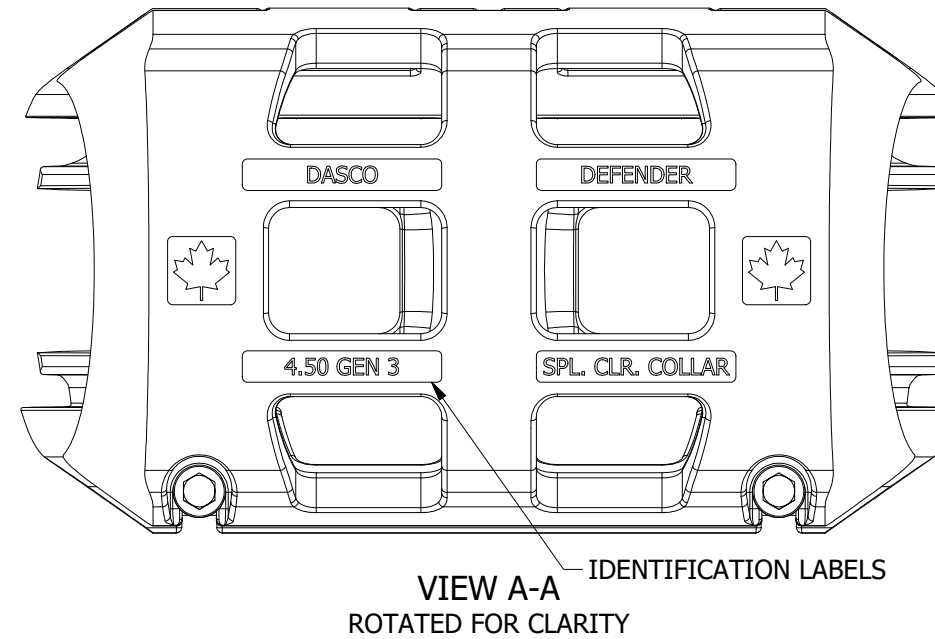
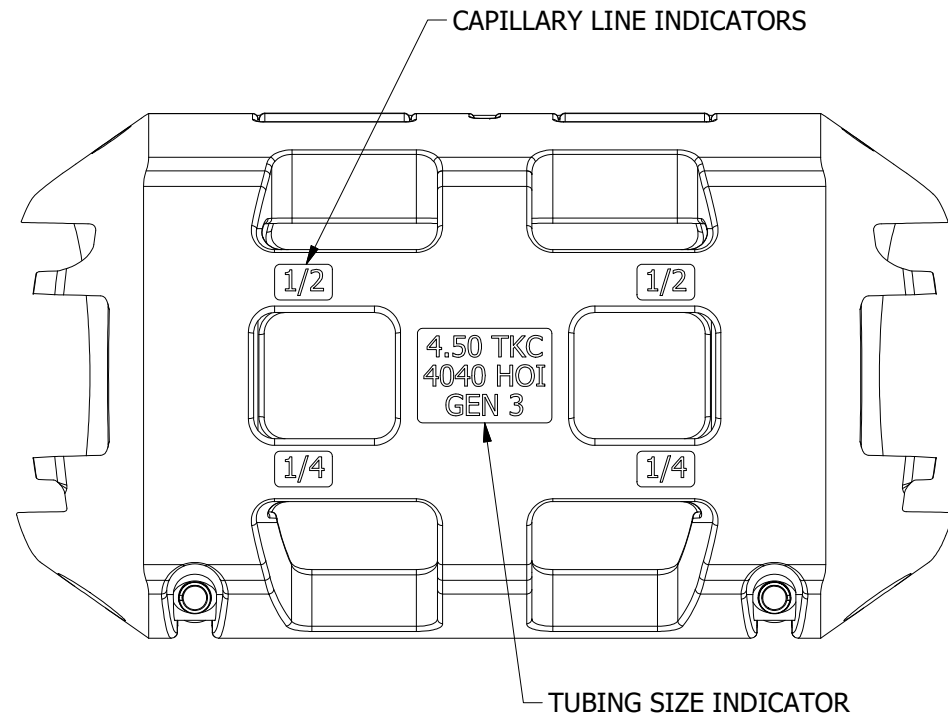


ITEM	QTY	PART NUMBER	TITLE	MATERIAL
1	1	9000251	GEN 3 COLLAR GUARD HINGE PIN - 5/16 UNF	AISI 4140 Fy MIN = 110 ksi
2	2	9000342	GEN 3 - MID AND COLLAR GUARD LATCH NUT - 3/8 UNC	AISI 4140 Fy MIN = 110 ksi
3	2	9000343	GEN 3 - MID & COLLAR GUARD LATCH BOLT - 3/8 UNC	AISI 4140 Fy MIN = 110 ksi
4	2	9000344	GEN 3 GUARD - RETENTION CLIP - 3/8 UNC BOLT	A36
5	1	9000350	DEFENDER GUARD - COLLAR 4.50 TKC 4040 HOI - TOP HALF CABLE SIDE - 01 PAD	DASCO-CAST-STEEL-002
6	1	9000351	DEFENDER GUARD - COLLAR 4.50 TKC 4040 HOI - BTM HALF	DASCO-CAST-STEEL-002



APPROXIMATE ASSEMBLY WEIGHT: 18.0 lbmass

REV	DESCRIPTION	DATE	BY
A	NOT FOR MANUFACTURE	03 NOV 2020	CDB

REVISION HISTORY

DO NOT SCALE DRAWING

VALUES IN INCHES UNLESS OTHERWISE NOTED. TOLERANCES UNLESS OTHERWISE SPECIFIED: .XXX ± 0.005 .XX ± 0.01 | .X ± 0.1 | ANG ± 0.5 GEOMETRIC DIMENSIONING & TOLERANCING PER ANSI Y14.5M-1994



ASSEMBLY - DEFENDER GUARD - GEN 3 COLLAR - 4.50 TKC 4040 HOI - SPECIAL CLEARANCE SPECIAL BEVEL - 01 PAD		
TITLE:	9000349	A 1 OF 1
PARTNUMBER:	REV:	SHEET: