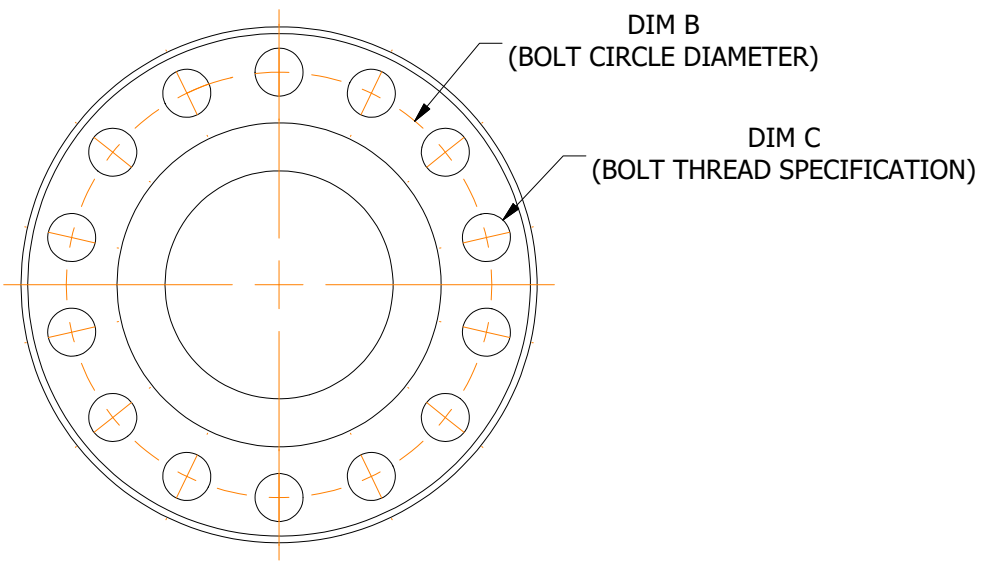
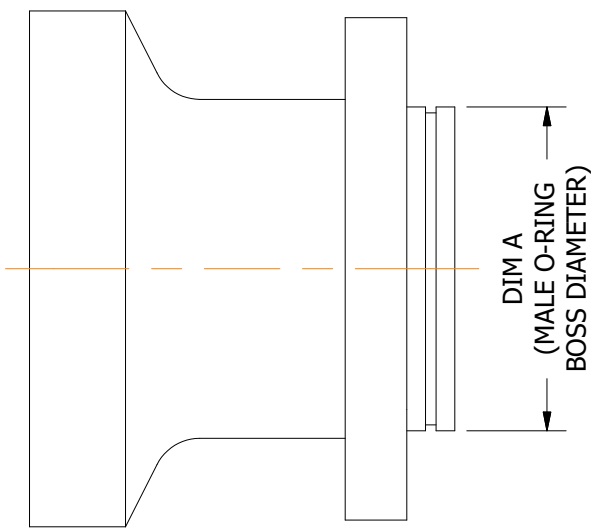


APPROVED BY: _____
SGN

DATE

TABLE	
PROPERTY	VALUE
DIM A (INCHES)	
DIM B (INCHES)	
DIM C (INCHES, UNC OR UNF)	



0	INITIAL RELEASE	22 APR 2021	CDB
REV	DESCRIPTION	DATE	BY
REVISION HISTORY			

DO NOT SCALE DRAWING

VALUES IN INCHES UNLESS OTHERWISE NOTED.
TOLERANCES UNLESS OTHERWISE SPECIFIED:
.XXX ± 0.005 .XX ± 0.01 | .X ± 0.1 | ANG ± 0.5
GEOMETRIC DIMENSIONING & TOLERANCING
PER ANSI Y14.5M-1994

ESP BASE TEMPLATE - REQUEST FOR INFORMATION FOR ESP SHIMMING TOOL

TITLE:
ESP SHIMMING TOOL - RFI

PARTNUMBER: _____

REV: 0 SHEET: 1 OF 1

"PROPRIETARY RIGHTS ARE INCLUDED IN THE INFORMATION DISCLOSED HEREIN AND THIS DOCUMENT IS RELEASED TO AND ACCEPTED BY THE POSSESSOR ON THE CONDITION AND UNDERSTANDING THAT NEITHER THIS DOCUMENT NOR THE INFORMATION DISCLOSED HEREIN SHALL BE REPRODUCED OR TRANSFERRED IN ANY MANNER OR USED OR DISCLOSED TO OTHERS FOR ANY PURPOSE, EXCEPT AS SPECIFICALLY AUTHORIZED IN WRITING BY DASCO."