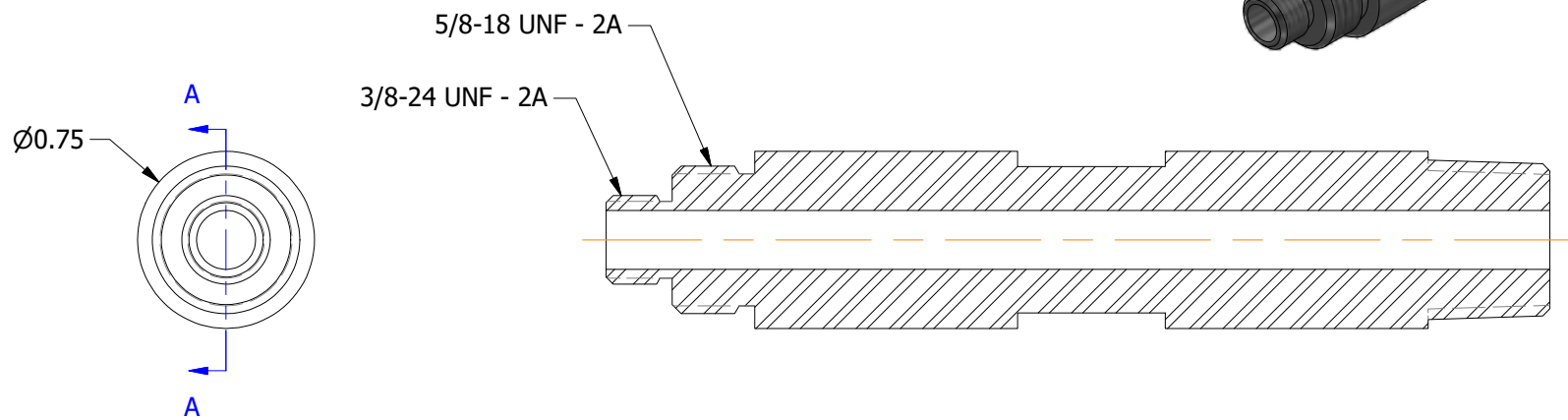


APPROVED BY: _____
SGN

DATE

PART NUMBER	DESCRIPTION	MATERIAL	WEIGHT(lbs.)
9000402	MOTOR/SEAL/PROTECTOR OIL FILLING ADAPTER 3/8"UNF & 5/8" UNF X 3/8 NPT MALE	C1018	.4



SECTION A-A

0	INITIAL RELEASE	26 MAR 2021	CDB
REV	DESCRIPTION	DATE	BY
REVISION HISTORY			

DO NOT SCALE DRAWING

VALUES IN INCHES UNLESS OTHERWISE NOTED.
 TOLERANCES UNLESS OTHERWISE SPECIFIED:
 .XXX ± 0.005 .XX ± 0.01 | .X ± 0.1 | ANG ± 0.5
 GEOMETRIC DIMENSIONING & TOLERANCING
 PER ANSI Y14.5M-1994

**MOTOR/SEAL/PROTECTOR OIL FILLING
 ADAPTER 3/8"UNF & 5/8" UNF X 3/8 NPT
 MALE**

TITLE:

9000402

PARTNUMBER:

REV: 0

SHEET: 1 OF 1

"PROPRIETARY RIGHTS ARE INCLUDED IN THE INFORMATION DISCLOSED HEREIN AND THIS DOCUMENT IS RELEASED TO AND ACCEPTED BY THE POSSESSOR ON THE CONDITION AND UNDERSTANDING THAT NEITHER THIS DOCUMENT NOR THE INFORMATION DISCLOSED HEREIN SHALL BE REPRODUCED OR TRANSFERRED IN ANY MANNER OR USED OR DISCLOSED TO OTHERS FOR ANY PURPOSE, EXCEPT AS SPECIFICALLY AUTHORIZED IN WRITING BY DASCO."