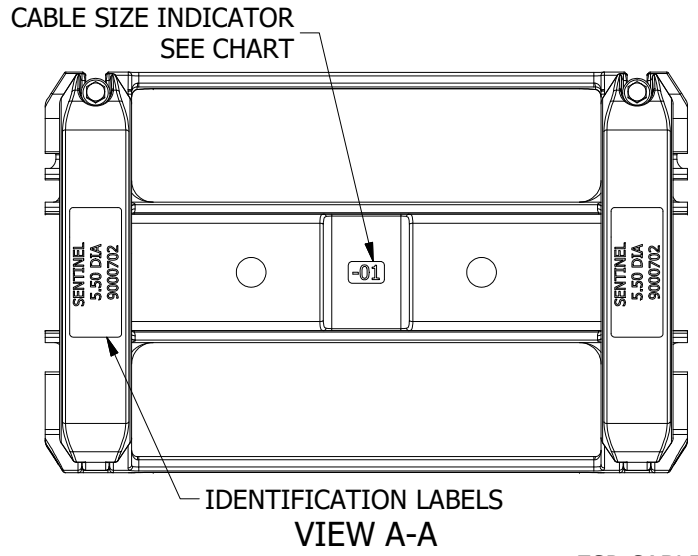
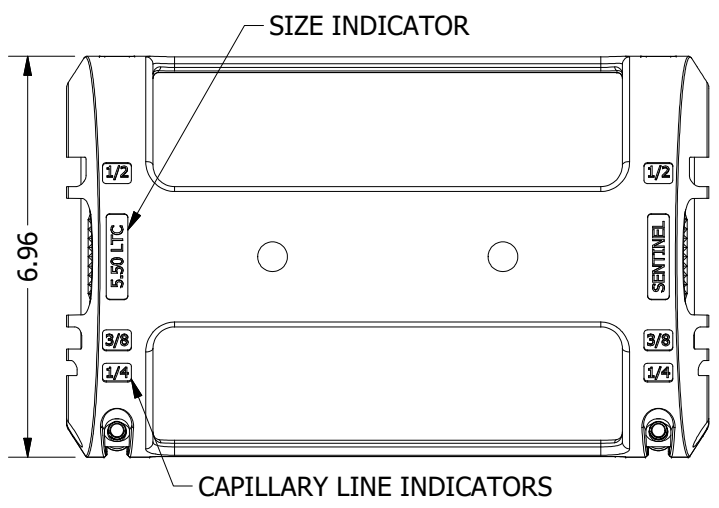
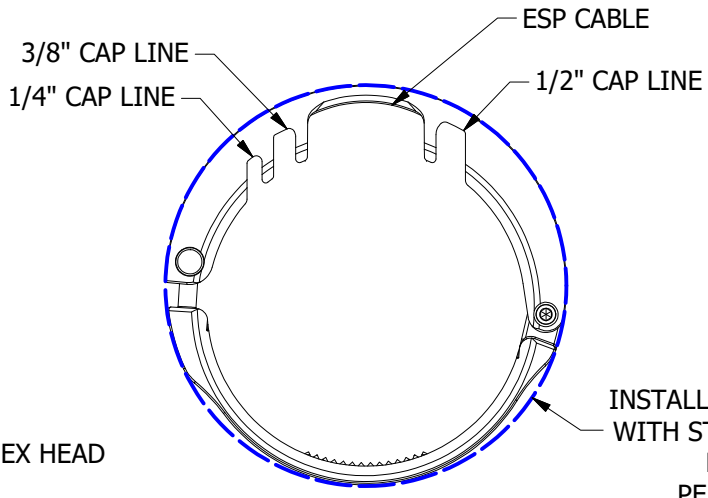
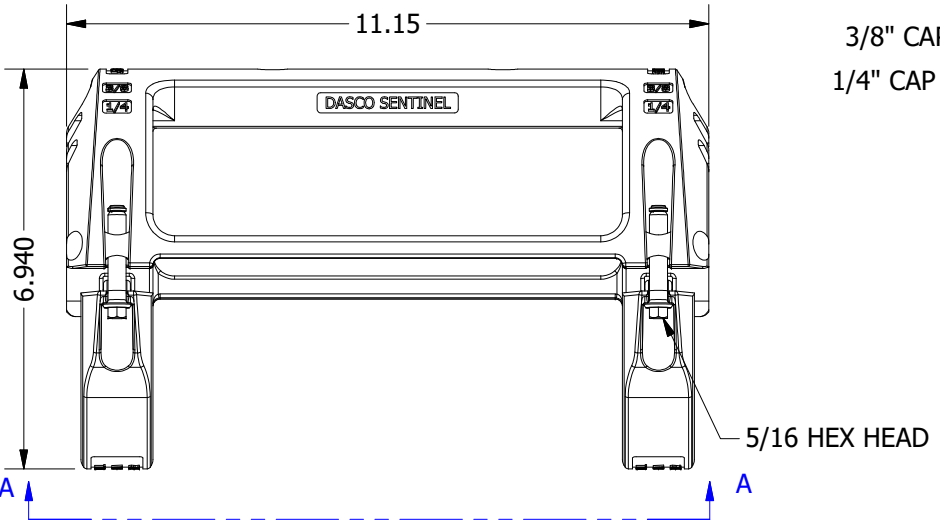
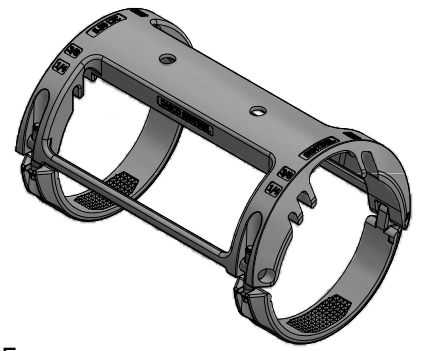


APPROVED BY: _____
SIGN

DATE _____



CABLE PAD NUMBER	CABLE WIDTH, MAX (IN)	CABLE THICKNESS RANGE (IN)
-01	2.00	0.544 - 0.600
-02	2.00	0.601 - 0.650
-03	2.00	0.651 - 0.711



Ø6.96 NOMINAL OD
INSTALLED ON NOMINAL 5.50 CASING
WITH STANDARD API ROUND THREAD
LONG COUPLING (LTC)
PER API SPEC 5CT, 8TH ED.

APPROXIMATE ASSEMBLY WEIGHT: 9.0 lbmass

0	FOR QUOTING ONLY	02 DEC 2021	CDB
REV	DESCRIPTION	DATE	BY
REVISION HISTORY			

DO NOT SCALE DRAWING

VALUES IN INCHES UNLESS OTHERWISE NOTED.
TOLERANCES UNLESS OTHERWISE SPECIFIED:
.XXX ± 0.005 .XX ± 0.01 | .X ± 0.1 | ANG ± 0.5
GEOMETRIC DIMENSIONING & TOLERANCING
PER ANSI Y14.5M-1994

TITLE: DASCO SENTINEL COLLAR GUARD 5.50 LONG THREAD COUPLED CASING		
PARTNUMBER: 9000700	REV: 0	SHEET: 1 OF 1

"PROPRIETARY RIGHTS ARE INCLUDED IN THE INFORMATION DISCLOSED HEREIN AND THIS DOCUMENT IS RELEASED TO AND ACCEPTED BY THE POSSESSOR ON THE CONDITION AND UNDERSTANDING THAT NEITHER THIS DOCUMENT NOR THE INFORMATION DISCLOSED HEREIN SHALL BE REPRODUCED OR TRANSFERRED IN ANY MANNER OR USED OR DISCLOSED TO OTHERS FOR ANY PURPOSE, EXCEPT AS SPECIFICALLY AUTHORIZED IN WRITING BY DASCO."